

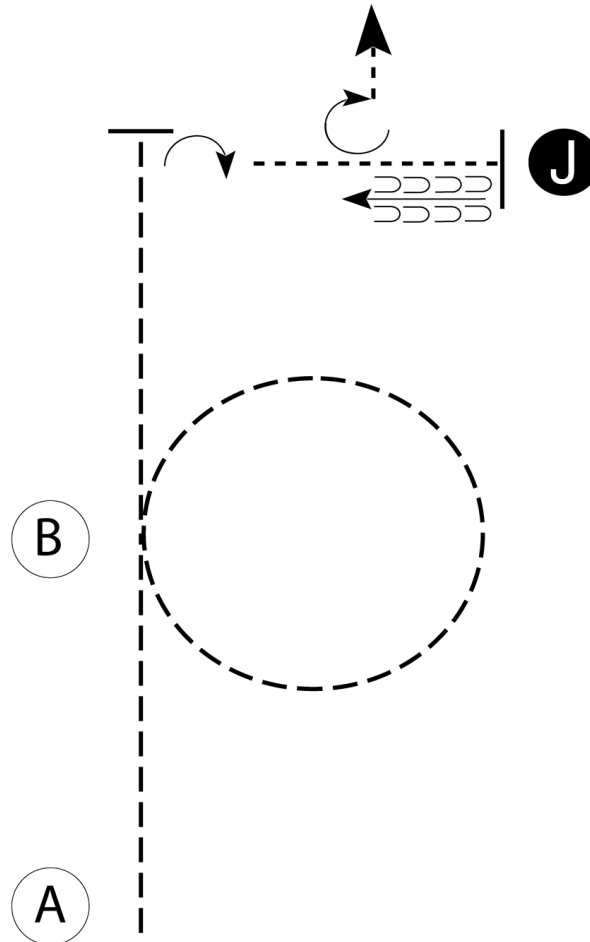
Cosca Championship Show

8. Adult Showmanship (19 yrs. & over -E/W, S/M/G)

Show Date: 10-05-2018

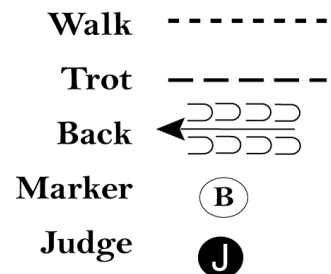
w w w . H o r s e S h o w P a t t e r n s . c o m

w w w . H o r s e S h o w P a t t e r n s . c o m



Be ready at A.

1. Trot to B.
2. Circle to the right at the trot as shown.
3. Extended trot until even with judge.
4. Perform a 1/4 turn.
5. Walk to judge and set up.
6. When dismissed, back approximately one horse length.
7. Perform a 3/4 turn.
8. Walk straight away and proceed to line up by following the instructions of your ring steward.



INSPECTION WILL BE DONE IN LINE UP.

[S/2-72]

Pattern Provided by:

Vickey Dunn

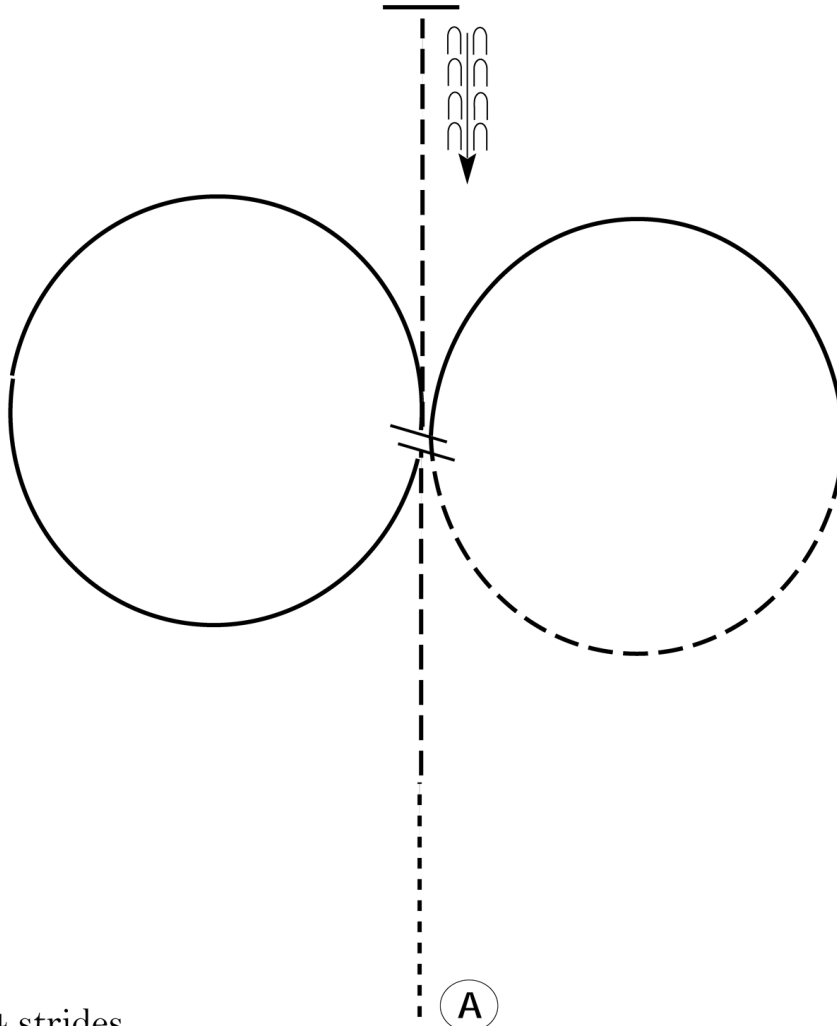
Cosca Championship Show

17. Adult English Equitation (19yrs & over - S/M/G)

Show Date: 10-05-2018

w w w . H o r s e S h o w P a t t e r n s . c o m

w w w . H o r s e S h o w P a t t e r n s . c o m



Be ready at A.

1. Walk for 3-4 strides.
 2. Posting trot on the right diagonal for 6 strides.
 3. Canter a circle to the left.
 4. Change leads at the center.
 5. Canter a half circle to the right.
 6. Close the circle at a posting trot.
 7. When at the center, sitting trot in a straight line for 6-8 strides.
 8. Halt and back approximately one horse length.
- Follow the instructions of your ring steward.

Walk	-----
Trot	- - - - -
Extended Trot	-----
Canter	—————
Leg Yield	
Lead Change	↙ ↘
Back	← ← ← ← ←
Marker	⊙
Sidepass	← — — — — →
Hand Gallop	—————

[HSE/2-63]

Pattern Provided by:

Vickey Dunn

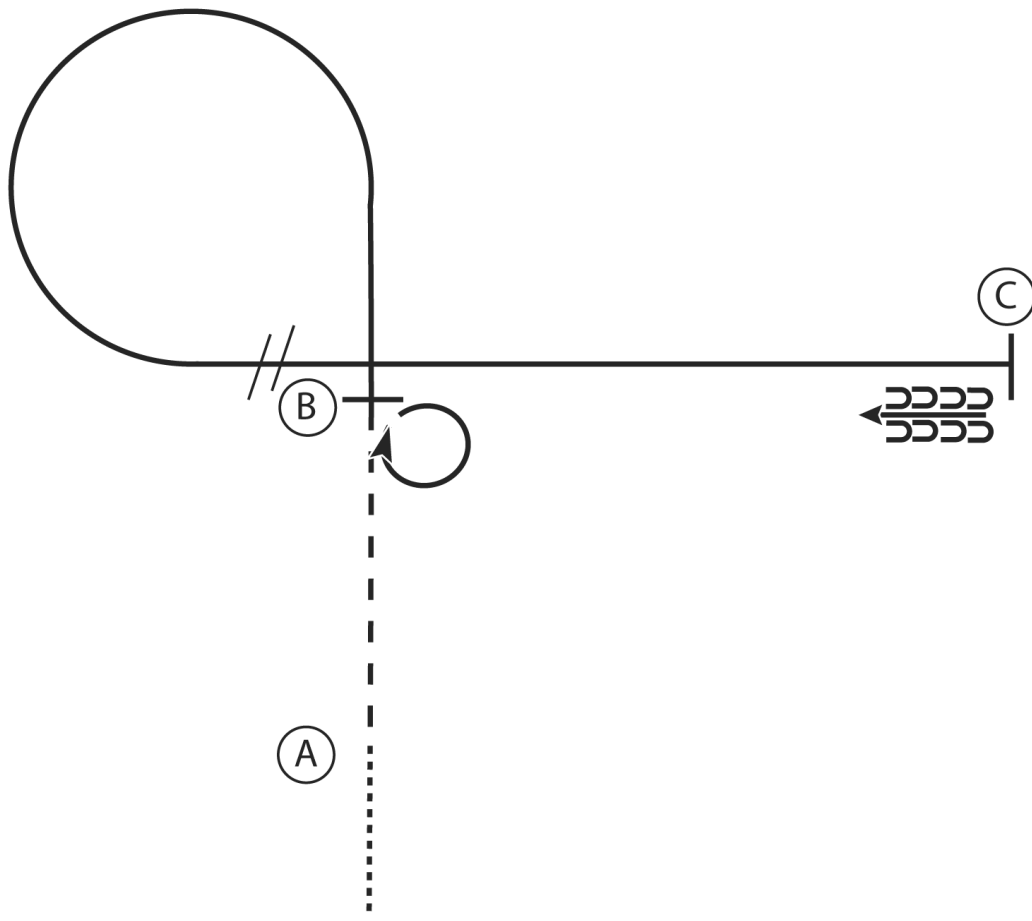
Cosca Championship Show

28. Adult Western Horsemanship (19 yrs & over S/M/G)

Show Date: 10-05-2018

w w w . H o r s e S h o w P a t t e r n s . c o m

w w w . H o r s e S h o w P a t t e r n s . c o m



1. Walk to A
2. At A jog to B
3. Stop at B and perform a 360 degree turn to the right
4. Lope a circle to the left
5. At B perform a lead change and continue to C
6. At C stop and back 5 steps

Walk
Jog	-----
Extended Jog	-----
Lope	—————
Leg Yield	
Lead Change	———/———
Back	←←← ←←←
Marker	(B)
Sidepass	←-----←

[WH/2-10]

Pattern Provided by:
Vickey Dunn

